

STEEL FRAME COMPONENT DESCRIPTION



INTERIOR FRAMING:

Interior Track

Track (or runner) is manufactured from corrosion-resistant, galvanized steel for corresponding stud sizes and gauges. The inside width of the track or web is equivalent to the outside width of the studs. Varying leg heights are available for deflection conditions or to accommodate uneven or inconsistent floor or ceiling conditions.



Gauges: 20 STR, 20 DW, 22, 25
Web: 1-5/8, 2-1/2, 3-1/2, 3-5/8, 4, 5-1/2, 6"
Leg: 1, 1-1/4, 2, 3"

Interior Stud

Drywall or (Interior) studs are used in non-load, nonstructural-bearing wall systems that support gypsum panel construction.



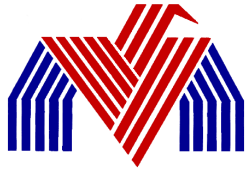
Gauges: 20, 25

Flange	Return
1-1/4"	3/16"

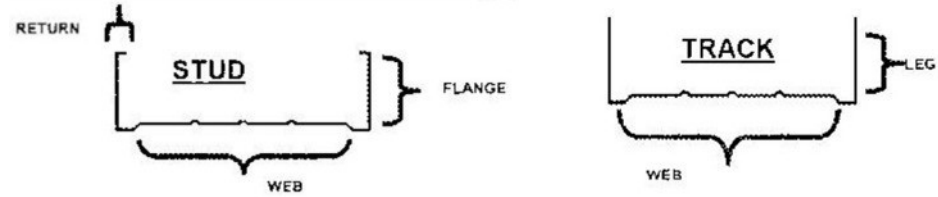
Dietrich UltraSTEEL™ Framing is a cutting-edge, industry-changing new development for interior drywall metal framing. Dietrich UltraSTEEL™ Framing is a next-generation roll-forming technology that significantly increases the product performance when compared to traditional interior metal stud framing. UltraSTEEL™ is an internationally patented method of altering the characteristics of the base strip steel providing higher strength material.



- **Better Acoustical Performance**
- **Improved Fire Resistance**
- **Greatly Reduces Screw Stripping**
- **Faster, Easier and Safer**
- **UL® Classified in Design V450**
- **Stronger Load-Carrying Capacity**
- **Greater Limiting Heights**
- **Stiffer, More Rigid Construction**
- **Easily Identifiable Pattern**



STEEL FRAME COMPONENT DESCRIPTION



Interior (Drywall) Nonload-Bearing, Nonstructural Framing

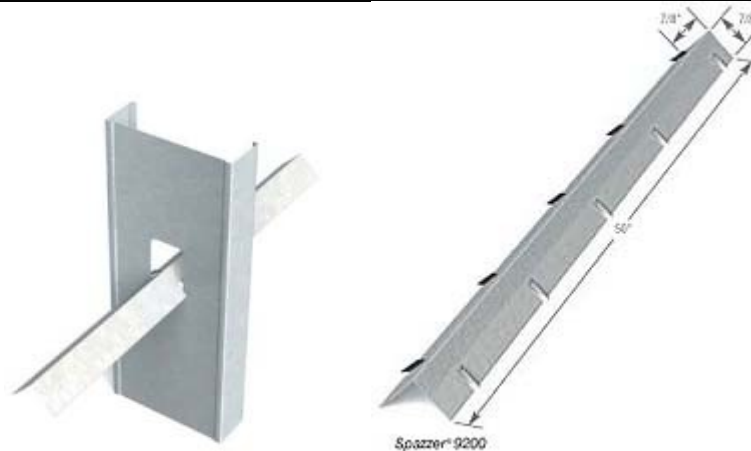


- Prepunched at regular intervals.
- Designed to accept the installation of standard grommets.
- Custom hole placement available on request.

Interior (Drywall) Products for Bridging/Bracing:

Spazzer® 9200 Spacer Bar

The Spazzer® 9200 Spacing Bar is a pre-notched bridging and spacing bar that facilitates the rapid erection of interior, nonload-bearing, nonstructural studs into a rigid, accurately laid out gridwork that has excellent resistance to stud rotation and displacement.



- **Saves up to 40% in combined labor and material costs.**
- **Eliminates stud spacing layout at deck.**
- **Improves drywall installation speed.**
- **Automatically positions and rigidly holds studs on 16" or 24" centers without fasteners.**
- **Eliminates clip angles and the labor required to install them.**

Product Dimensions: 7/8" x 7/8" x 50" (22.2mm x 22.2mm x 1270mm)

Material Specifications

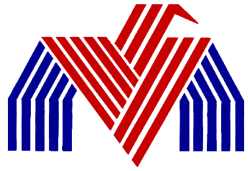
Gauge: 20 gauge, (33 mils)

Design Thickness: 0.0346 inches (0.879 mm)

Coating: G40 (Z120) hot-dipped galvanized

Yield Strength: 33 ksi (230 MPa)

ASTM: A 653/A 653M



STEEL FRAME COMPONENT DESCRIPTION



U-Channel and EasyClip Clip Angles

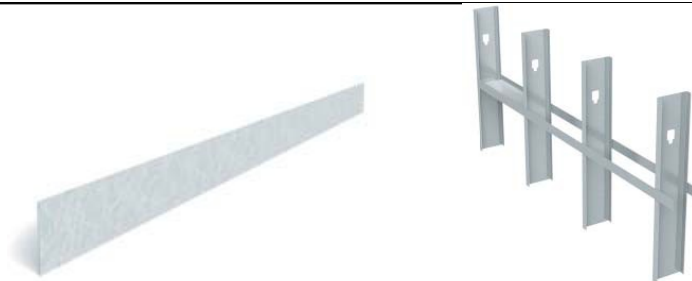
Traditional bridging system that provides rigidity and lateral support to the constructed framework.



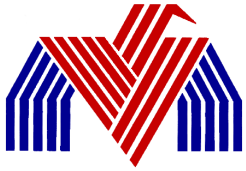
- Prevents twisting and lateral movement.
- Traditional system.
- EasyClip™ U-Series™ clips are prepunched for faster installation.

Block and Strap

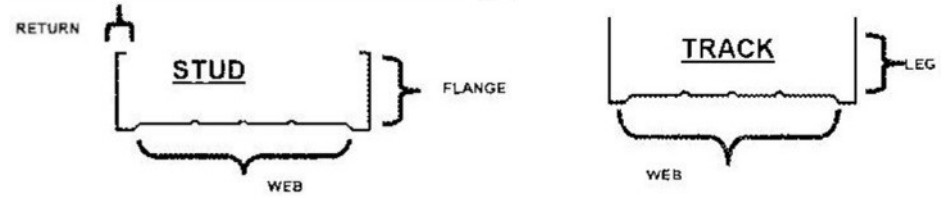
Full-depth bracing that restricts rotation and movement.



- Used as bridging when framing members are unpunched.
- Eliminates the need for clips.
- Provides alternative bridging when knockouts do not align.



STEEL FRAME COMPONENT DESCRIPTION

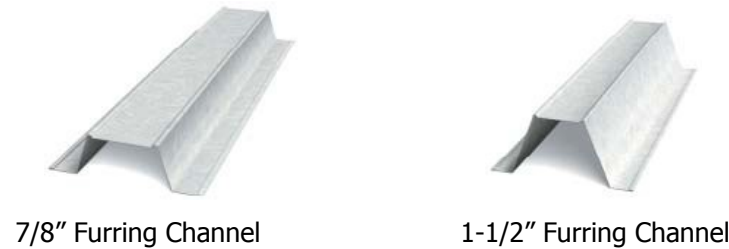


Furring Channel U-Channel Hanger Wire/Tie Wire and Furring Channel Clips
 Rigid structural support for gypsum wallboard, veneer plaster or drop ceiling assemblies.



- **Commonly used non-combustible ceiling assembly.**
- **Rigid framework for high-quality finish.**
- **Furring clips easily snap into place for fast assembly.**

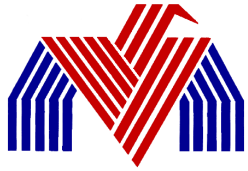
Interior (Drywall) Framing Products for Various Drywall Framing Assemblies
 Economical hat-shaped framing component used to "furr" out ceilings and masonry walls.



7/8" Furring Channel

1-1/2" Furring Channel

- Provides noncombustible furring for interior and exterior walls.
- Wide knurled face prevents screw "ride" and facilitates easy installation.
- Use to level uneven surfaces.
- Available in 7/8" and 1-1/2" depths and 25, 20, 18 and 16 gauge.
- Standard lengths are 10' and 12'. Other lengths available.



STEEL FRAME COMPONENT DESCRIPTION



EXTERIOR FRAMING:

Exterior Light-Gauge Steel Framing Systems for Curtain-Wall/ Axial-Load Bearing

Exterior Structural Stud

C Studs are lightweight, cold-formed galvanized steel members used in axial load bearing walls, curtain-walls, floor joists and roof truss framing. C-Studs are available in a wide array of sizes, flanges, gauges and yield strengths to obtain optimal performance at minimal costs.



Gauges: 20,18,16,14,12

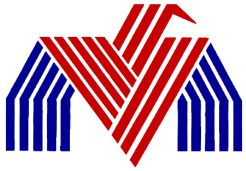
Flange	Return
1-3/8"	3/8"
1-5/8"	1/2"
2"	5/8"
2-1/2"	5/8"
3"	1"
3-1/2"	1"

Exterior Structure Track

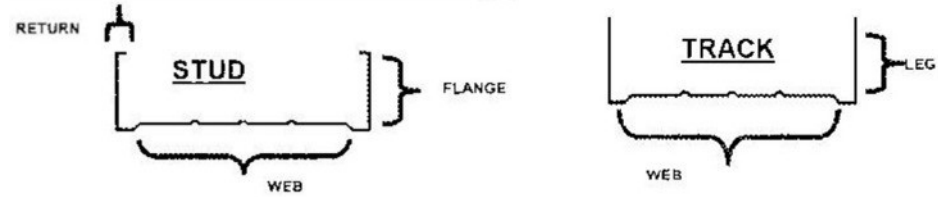
Structural track is a U-shaped framing component used as top and bottom runners to secure wall studs. Structural track is also used as end support closures for joists at exterior or foundation walls, head and sill plates of wall openings and solid blocking.



Gauges: 20,18,16,14,12
Web: 2-1/2, 3-1/2, 3-5/8,4,5-1/2,6,8,10,12,14"
Leg: 1, 1-1/4, 1-1/2, 2, 3"



STEEL FRAME COMPONENT DESCRIPTION



SLP-TRK Slotted Track System (BDTK)

The SLP-TRK® Slotted Track is one of the most cost-effective, positively attached fire-rated deflection systems.

Product Dimensions

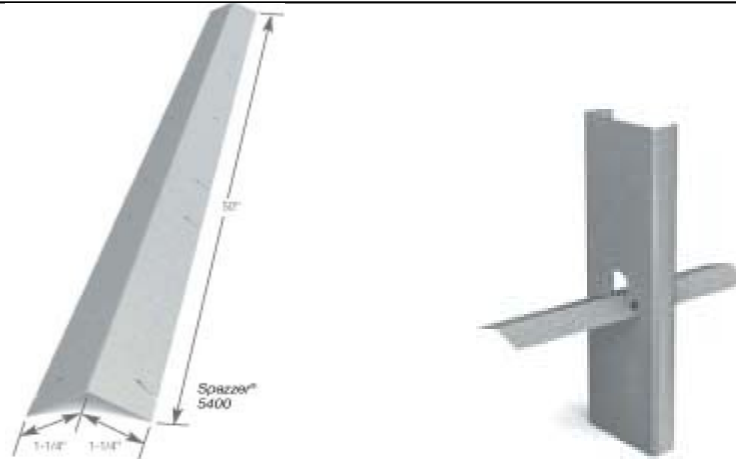
2-1/2" x W x 2-1/2" (63.5mm x W x 63.5mm)
W available in 2-1/2", 3-5/8", 4", 6" and 8" widths (63.5mm, 92.1mm, 102mm, 152mm and 203mm)



- Allows up to 1" (25.4mm) of vertical deflection.
- Absorbs building movement.
- Protects the integrity of interior and exterior walls.
- Provides easy code compliance.
- Offers simple installation.
- Reduces labor time and saves material costs.
- Allows easier building inspection approvals.
- Offers over 200 UL and IBCO approval designs.
- Eliminates friction held assemblies.
- Eliminates temporary fastening that may not get removed.
- Custom leg and slot sizes up to 4" (101.6mm) for larger deflection requirements.

Spazzer® 5400 Spacer Bar Spazzer® Bar Guard™

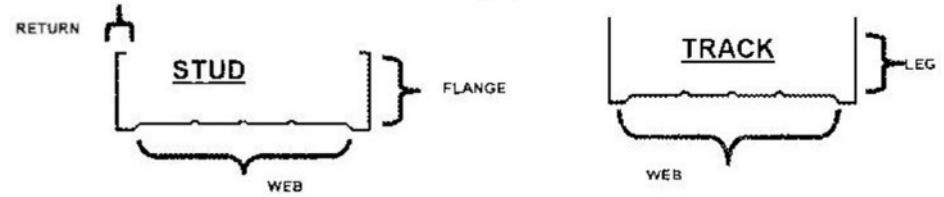
The Spazzer® 5400 Spacing Bar is a pre-notched bridging and spacing bar engineered to facilitate the rapid erection of exterior curtain wall framing, load-bearing walls and high interior partitions constructed with structural studs.



- **Reduces labor up to 40%.**
- **Eliminates clip angles, bridging clips and welding.**
- **Pre-notched at 12", 16" and 24" intervals, so no layout is needed.**



STEEL FRAME COMPONENT DESCRIPTION



Double Track Systems

Traditional, Double Track or track-over-track curtain-wall deflection system.

Overtrack

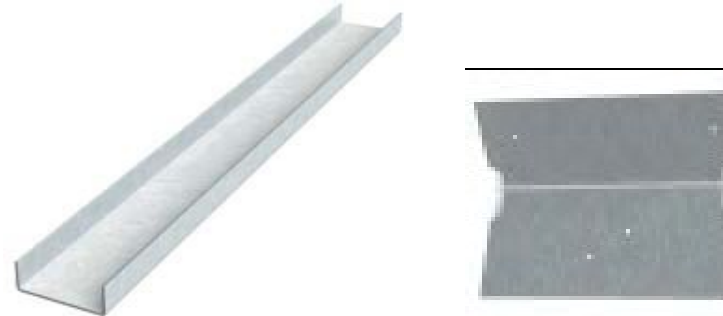


Deep Leg Track

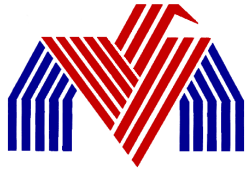
- Eliminates bridging.
- Requires custom top track/longer lead times.

U-Channel and EasyClip Clip Angles

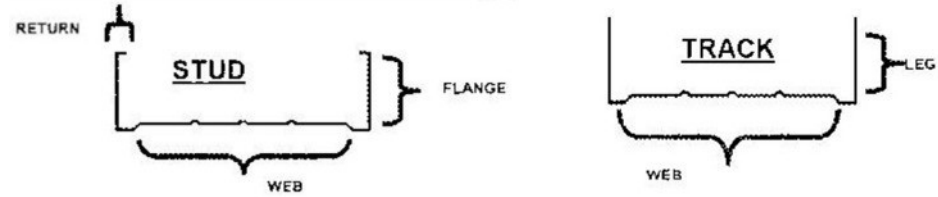
Traditional cold-rolled bridging with clip angle and screw attachment.



- **Traditional bracing to prevent stud rotation.**
- **EasyClip™ U-Series™ clips are punched for easy attachment.**
- **Labor-intensive assembly.**



STEEL FRAME COMPONENT DESCRIPTION

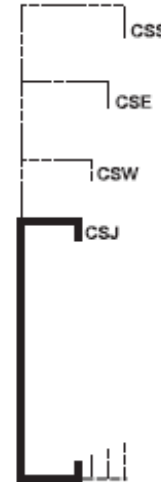


FLOOR FRAMING:

Floor Joist Systems/Components:

Light-Gauge C-Joist Framing

Conventional C-Joist components provide a lightweight, low-cost, rigid floor assembly.



- Precut to exacting sizes and readily available.
- Joist sizes include 8", 10", 12" and 14".
- Available in 18, 16, 14 and 12 gauge.
- Flange widths include 1-5/8", 2", 2-1/2" and 3".

TradeReady® Steel Joists

Dietrich™ TradeReady® steel joists are one of the primary components that make up the TradeReady® floor system. These joists feature large extruded holes that accommodate HVAC, mechanical, plumbing and sprinkler runs. The joist also features a series of smaller holes for electrical and technology lines.



- Clear spans up to 33'.
- Large extruded openings to accommodate electrical, HVAC, plumbing and technology lines.
- Hole sizes range from 4-1/4" oval to 10" round based on member depth.
- Superior strength permits wider O.C. spacing.
- Precut to your exact specifications—no waste.
- Available in 7-1/4", 8", 9-1/4", 10", 11-1/4", 12" and 14" deep members.
- Flange sizes include 1-3/4" and 2".
- Eliminates soffit framing.



STEEL FRAME COMPONENT DESCRIPTION



TradeReady® Structural Blocking

Precut structural blocking that installs easily to the underside of the joists to prevent joist rotation.

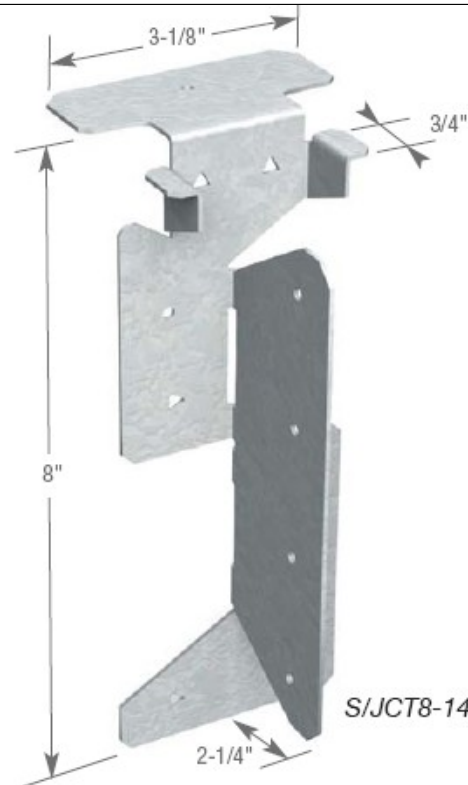


- Precut to fit 12", 16", 19.2" or 24" spacing.
- Prepunched holes for quick attachment.
- Available in 18 gauge only.

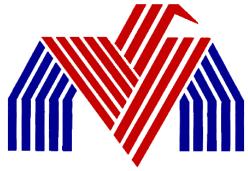
Floor Framing Connectors:

Simpson Strong-Tie® Joist Hanger (S/JCT8-14)

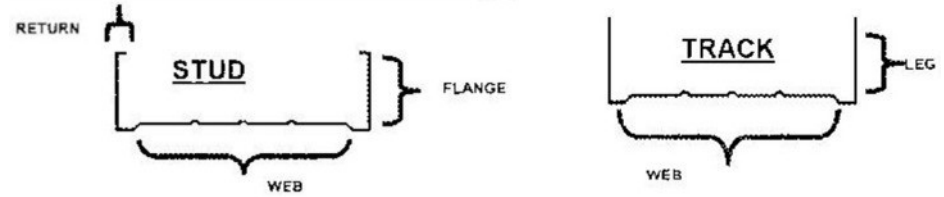
Features "one size fits all" flexibility and accommodates 8"-14" deep floor joists.



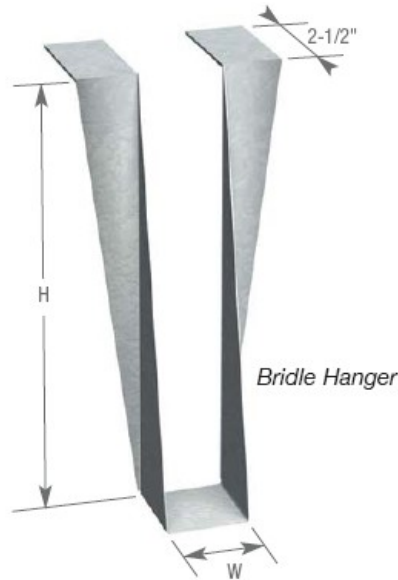
- **One size fits all. Eliminates numerous SKUs.**
- **Quick and easy installation.**
- **Field skewable up to 45°.**
- **Joists can be attached from either side or doubled up.**
- **Fits C-joists from 8" through 14" deep.**
- **Optional holes for additional loading capacity.**
- **Works with steel beams, wood beams or headers.**



STEEL FRAME COMPONENT DESCRIPTION

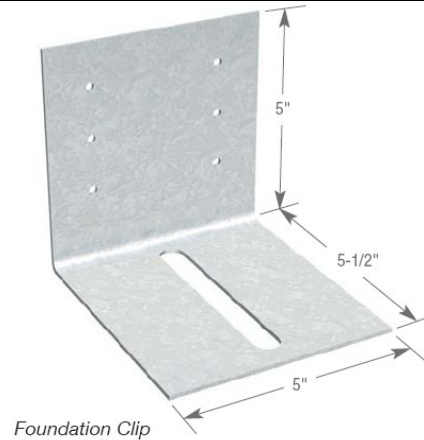


Simpson Strong-Tie® Bridle Hangers
 Bridle hangers are used to attach floor joists to structural steel beams, wood ledgers or masonry block.

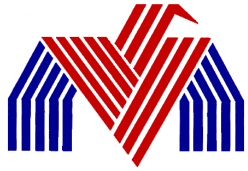


- Use with 2" flange (CSW) or (TDW) floor joists.
- Single- and double-wide hangers available.
- May be used for weld-on applications.
- Stock sizes for 8", 10", 12" and 14" deep joists.
- Other widths and depths available.

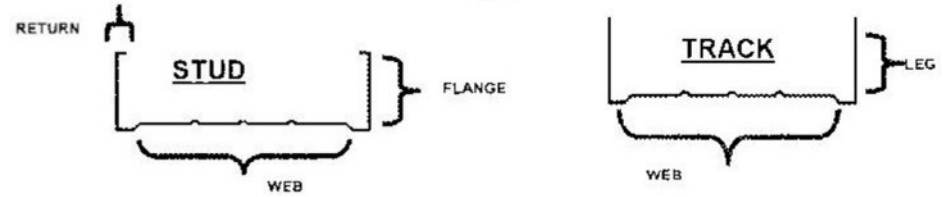
Foundation Clips
 Foundation clips are used to secure TradeReady® Rim Joist, structural track, end caps or parallel joists to the building foundation.





- Prepunched for easy and accurate fastener placement.
- Elongated slot provides for adjustable attachment to the foundation anchor bolts.
- 16-gauge, G-90, 50 KSI steel.



STEEL FRAME COMPONENT DESCRIPTION



<p>TRUSS FRAMING:</p>		<ul style="list-style-type: none"> •
<p>C-Stud Truss: C-Stud components are field cut and assembled to provide noncombustible roof assemblies. C-Stud/field-assembled metal trusses are lightweight, economical roof framing systems used in educational, assisted living, hotels/motels, military, industrial and countless other commercial and institutional structures when a "residential look and feel" is desired.</p>		<ul style="list-style-type: none"> • Standard framing components. • Noncombustible assembly. • Lightweight and easy to handle. • Clear spans up to 100'. • Limitless designs and possibilities.
<p>Simpson™ Seismic and Hurricane Ties: Used to attach and tie trusses and rafters to the building structure.</p>		<ul style="list-style-type: none"> • Pre-punched for fast and accurate fastener placement. • Ties are shipped in equal quantities of separate rights and lefts. • Simpson* recognized quality. <p><i>Simpson™ Seismic and Hurricane Ties are designed to provide wind and seismic ties for trusses and rafters. These versatile products can also be used for general tie-down purposes, strong back attachments and as all-purpose ties where one member crosses another.</i></p>